

SCALE

1 INCH EQUALS 200 FEET

BASIS OF BEARINGS

588°42'14"W ALONG THE SOUTH BOUNDARY OF GRANT CO. PARTITION PLAT NO. 2000-12. PER CITED PLAT-TO OBTAIN TRUE BEARINGS, ROTATE PLAT BEARINGS +1°08'42" AT THE SOUTH 1/4 SEC. 27

REFERENCE MATERIAL

GRANT COUNTY PARTITION PLAT NO. 2000-12
GRANT COUNTY SURVEYS:
NO. 324
NO. 382
NO. 515
NO. 1659

LEGEND

- FD. MONUMENT AS DESCRIBED
- FD. 5/8" IRON ROD WITH ALUMINUM CAP, MKD. "BGB SURVEY MARKER" AND ROAD STATION AND OFFSET. REFER TO SURVEY NO. 1659
- SET 5/8" IRON ROD (CONCRETE REINFORCING ROD) WITH PLASTIC CAP MKD. "APA". THESE MONUMENTS TO BE SET UNDER THE PROVISIONS OF ORS 92.060(5)-SEE POST-MONUMENTATION CERTIFICATE ON SHEET 1.
- () RECORD DIMENSION PER SURVEY 1659 UNLESS CITED OTHERWISE
- { } RECORD DIMENSION PER SURVEY 515 UNLESS CITED OTHERWISE

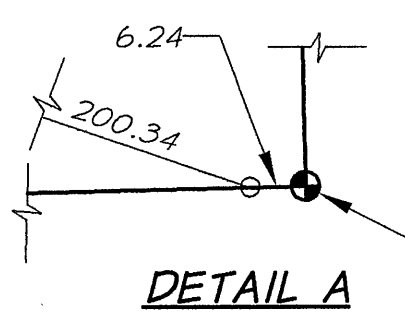
CURVE TABLE				
CURVE	CENTRAL ANGLE	RADIUS	LENGTH	CHORD
C1	2°25'12"	390.00	16.47	562°16'56"W 16.47
C2	78°44'21"	110.37	151.68	537°50'11"W 140.02
C3	40°57'02"	190.37	136.06	556°43'51"W 133.18
C4	37°47'19"	190.37	125.56	517°21'40"W 123.29
C5	4°27'55"	1000.00	77.93	N00°41'58"E 77.91
C6	0°40'45"	1040.00	12.33	N01°11'37"W 12.33
C7	3°47'10"	1040.00	68.72	N01°02'20"E 68.71
C8	4°27'55"	960.00	74.82	N00°41'58"E 74.80
C9	85°45'14"	350.00	523.84	N45°48'33"E 476.30
C10	20°48'35"	390.00	141.65	N13°20'13"E 140.83
C11	20°20'36"	390.00	138.47	N33°54'39"E 137.75

CURVE TABLE				
CURVE	CENTRAL ANGLE	RADIUS	LENGTH	CHORD
C12	16°59'12"	390.00	115.65	N52°34'44"E 115.21
C13	2°35'06"	390.00	17.59	N62°21'50"E 17.59
C14	25°11'38"	390.00	171.49	N76°05'20"E 170.11
C15	9°40'21"	310.00	52.33	N07°46'06"E 52.27
C16	48°28'00"	310.00	262.23	N36°50'17"E 254.48
C17	17°28'43"	310.00	94.57	N69°48'38"E 94.20
C18	10°08'10"	310.00	54.84	N83°37'05"E 54.77
C19	69°51'22"	200.00	243.84	S53°45'29"W 229.02
C20	69°51'22"	160.00	195.08	S53°45'29"W 183.22
C21	65°57'54"	240.00	276.31	S55°42'13"W 261.30
C22	3°53'28"	240.00	16.30	S20°46'32"W 16.30

EXACT COPY STATEMENT

I, HARMON E. MCLENDON, OREGON REGISTERED LAND SURVEYOR NO. 2537, DO HEREBY STATE THAT THIS DRAWING IS AN EXACT COPY OF THE ORIGINAL THEREOF, SAID ORIGINAL WAS PREPARED AND SIGNED BY ME ON THE 13TH DAY OF OCTOBER, 2003.

HARMON E. MCLENDON, PLS 2537



DETAIL A

INITIAL POINT

SOUTH 1/4 COR-SEC. 27
FD. 1 1/2" GALV. IRON PIPE
W/ GRANT CO. SURVEYOR
BRASS CAP (SEE SURVEY 1659)

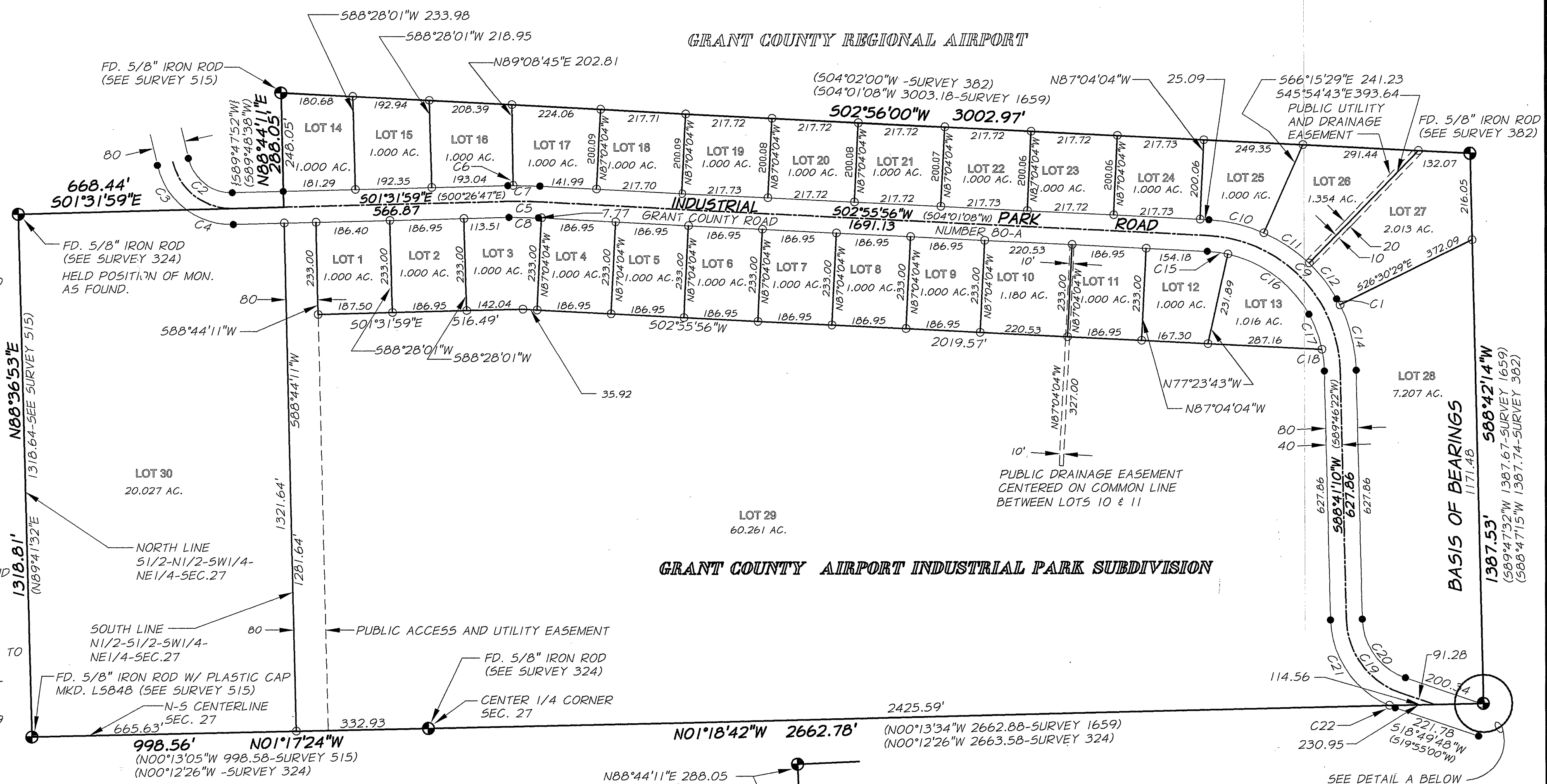
REGISTERED PROFESSIONAL LAND SURVEYOR

OREGON JAN. 21, 1992 HARMON E. MCLENDON 2537

renews 12/31/04

anderson perry

1901 N. FIR STREET
LA GRANDE, OREGON, 97850
541-963-8309



SURVEYED FOR:

THE CITY OF JOHN DAY, OREGON
450 E. MAIN ST.
JOHN DAY, OR 97845
SURVEY DATE: 2003