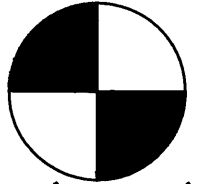


BUCKHORN ESTATES SUBDIVISION

Ferguson Surveying



Engineering

P.O. Box 519, 210 E. Main
MT. VERNON, OR 97065
PHONE (541)932-4520
FAX (541)932-4430
EMAIL DFSE@EONI.COM

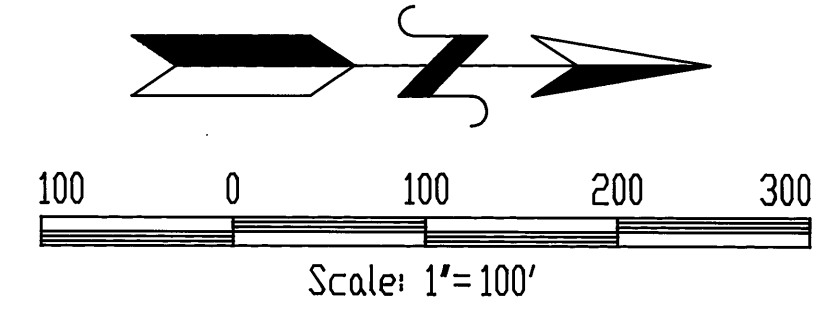
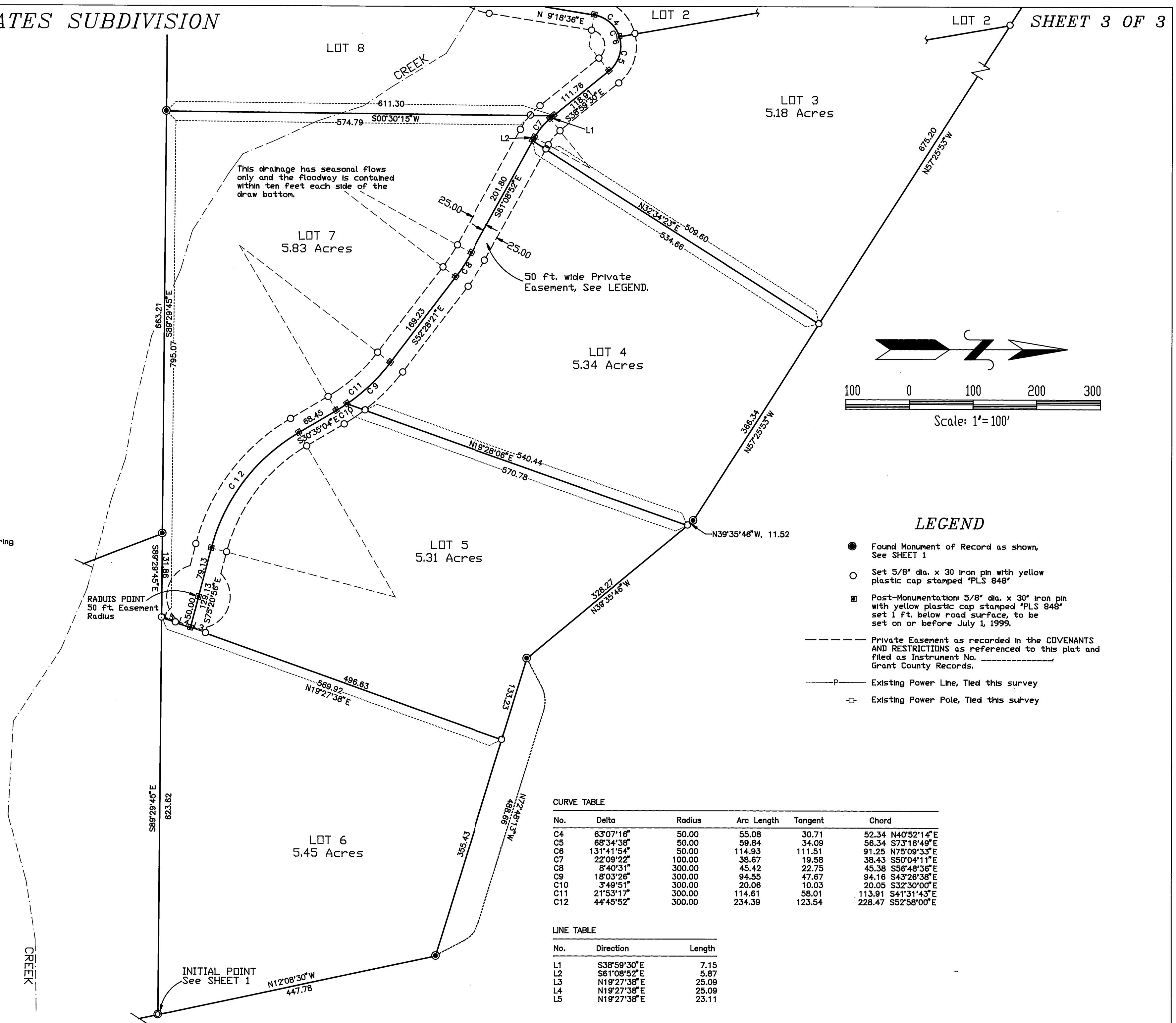
REGISTERED
PROFESSIONAL
LAND SURVEYOR

OREGON
JULY 12, 1988
DOUGLAS M. FERGUSON
848

RENEWAL DATE:
12/31/99

I hereby certify that this is a true and exact copy of the BUCKHORN ESTATES SUBDIVISION PLAT.

Douglas M. Ferguson, P.L.S.
President, Ferguson Surveying & Engineering



LEGEND

- Found Monument of Record as shown, See SHEET 1
- Set 5/8" dia. x 30 Iron pin with yellow plastic cap stamped "PLS 848"
- Post-Monumentation 5/8" dia. x 30" iron pin with yellow plastic cap stamped "PLS 848" set 1 ft. below road surface, to be set on or before July 1, 1999.
- - - Private Easement as recorded in the COVENANTS AND RESTRICTIONS as referenced to this plat and filed as Instrument No. _____ Grant County Records.
- P - Existing Power Line, Tied this survey
- □ - Existing Power Pole, Tied this survey

CURVE TABLE

No.	Delta	Radius	Arc Length	Tangent	Chord
C4	63°07'16"	50.00	55.08	30.71	52.34 N40°52'14"E
C5	68°34'38"	50.00	59.84	34.09	56.34 S73°16'49"E
C6	131°41'54"	50.00	114.93	111.51	91.25 N75°09'33"E
C7	22°09'22"	100.00	38.67	19.58	38.43 S50°04'11"E
C8	8°40'31"	300.00	45.42	22.75	45.38 S56°48'36"E
C9	18°03'26"	300.00	94.55	47.67	94.16 S43°26'38"E
C10	3°49'51"	300.00	20.06	10.03	20.05 S32°30'00"E
C11	21°53'17"	300.00	114.61	58.01	113.91 S41°31'43"E
C12	44°45'52"	300.00	234.39	123.54	228.47 S52°58'00"E

LINE TABLE

No.	Direction	Length
L1	S38°59'30"E	7.15
L2	S61°08'52"E	5.87
L3	N19°27'38"E	25.09
L4	N19°27'38"E	25.09
L5	N19°27'38"E	23.11