

REGISTERED PROFESSIONAL LAND SURVEYOR

OREGON JULY 12, 1988

DOUGLAS M. FERGUSON 848

RENEWAL DATE: 12/31/99

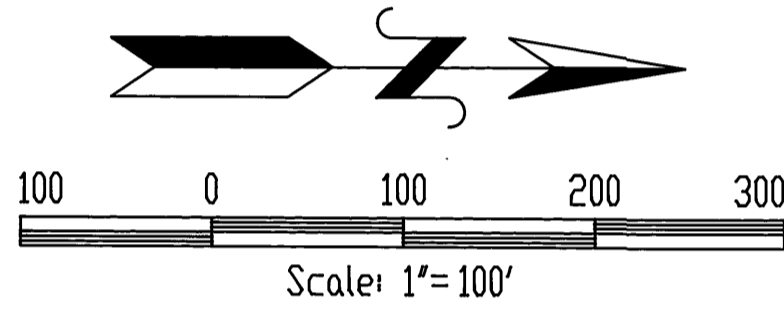
I hereby certify that this is a true and exact copy of the BUCKHORN ESTATES SUBDIVISION PLAT.

Douglas M. Ferguson, P.L.S.  
President, Ferguson Surveying & Engineering

BUCKHORN ESTATES SUBDIVISION SHEET 2 OF 3

CURVE TABLE

No.	Delta	Radius	Arc Length	Tangent	Chord
C1	5°44'07"	500.00	50.05	25.05	50.03 N28°42'40"E
C2	32°37'57"	225.00	128.15	65.86	126.42 N47°53'42"E
C3	54°54'05"	100.00	95.82	51.95	92.20 N36°45'38"E
C4	63°07'16"	50.00	55.08	30.71	52.34 N40°52'14"E
C5	68°34'38"	50.00	59.84	34.09	56.34 S73°16'49"E
C6	131°41'54"	50.00	114.93	111.51	91.25 N75°09'33"E
C7	22°09'22"	100.00	38.67	19.58	38.43 S50°04'11"E

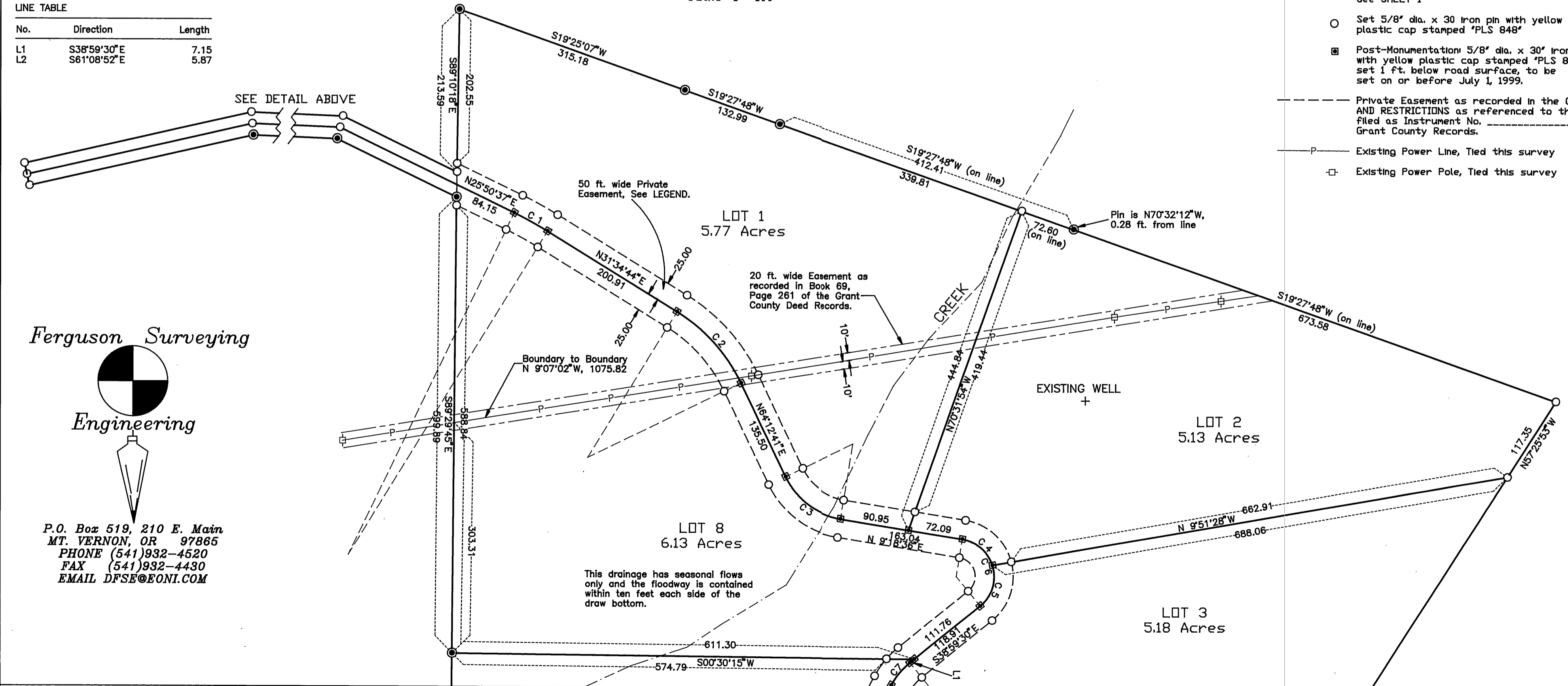


NOTE: No published National Geodetic Survey monuments were found within 1/2 mile of this survey.

LINE TABLE

No.	Direction	Length
L1	S38°59'30"E	7.15
L2	S61°08'52"E	5.87

- LEGEND
- Found Monument of Record as shown, See SHEET 1
  - Set 5/8" dia. x 30" iron pin with yellow plastic cap stamped "PLS 848"
  - Post-Monumentation 5/8" dia. x 30" iron pin with yellow plastic cap stamped "PLS 848" set 1 ft. below road surface, to be set on or before July 1, 1999.
  - - - Private Easement as recorded in the COVENANTS AND RESTRICTIONS as referenced to this plat and filed as Instrument No. \_\_\_\_\_ Grant County Records.
  - P Existing Power Line, Tied this survey
  - Existing Power Pole, Tied this survey



Ferguson Surveying Engineering

P.O. Box 519, 210 E. Main  
MT. VERNON, OR 97865  
PHONE (541)932-4520  
FAX (541)932-4430  
EMAIL DFSE@EONI.COM