

REGISTERED PROFESSIONAL LAND SURVEYOR
OREGON
DOUGLAS M. FERGUSON
848
RENEWAL DATE: 12/31/01

REGISTERED PROFESSIONAL LAND SURVEYOR
OREGON
KENNETH H. DELANO JR.
49665
RENEWAL DATE: 12/31/01

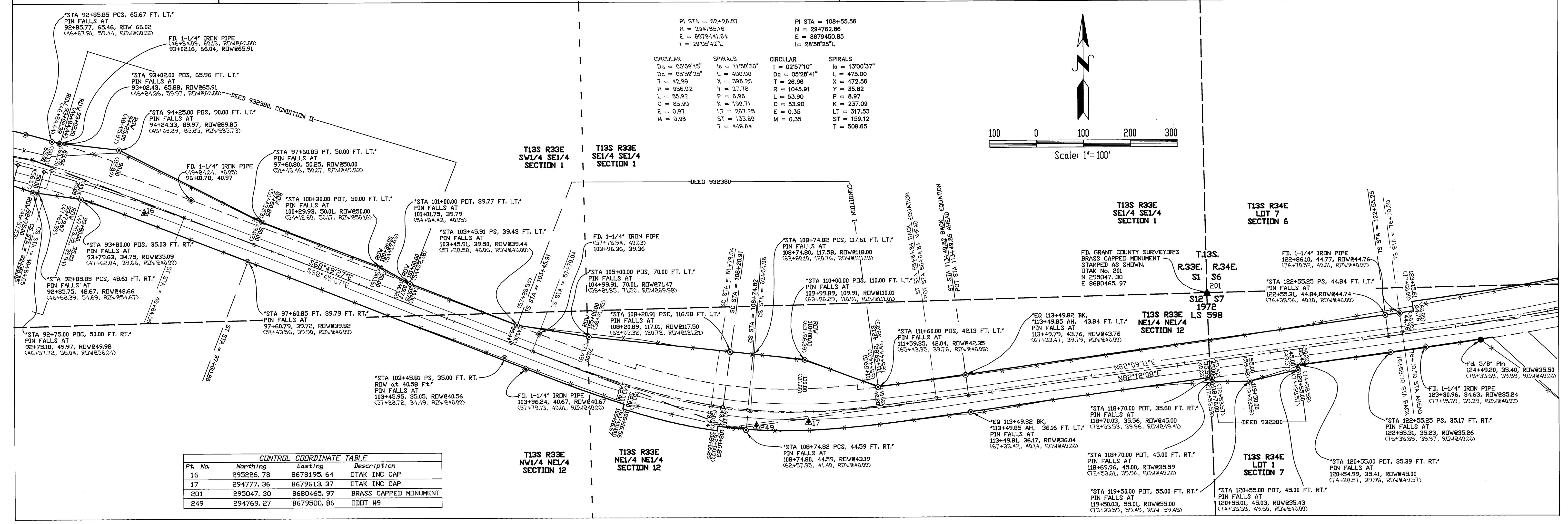
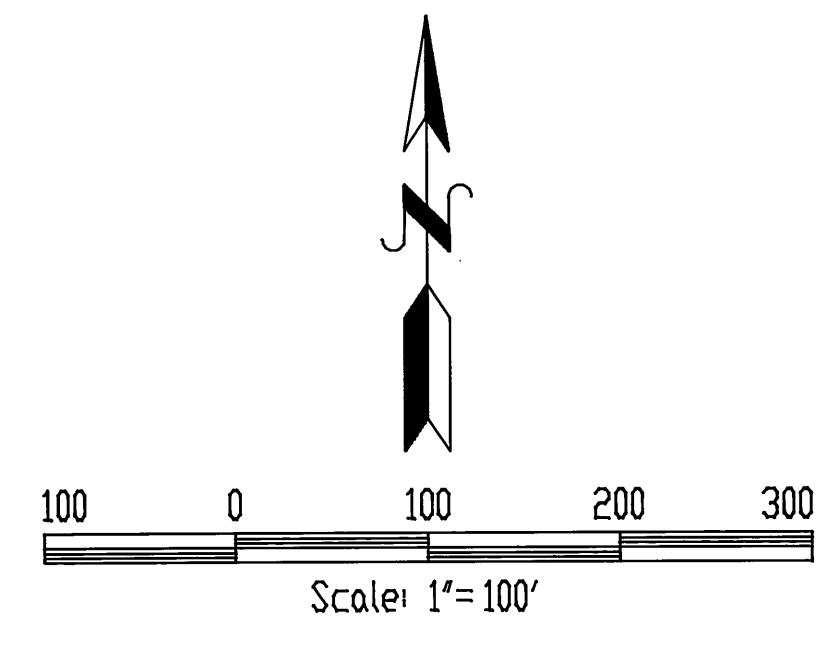
CONTROL COORDINATE TABLE

Pt. No.	Northing	Easting	Description
13	295827.00	8675153.06	DTAK INC CAP
14	295668.41	8676130.91	DTAK INC CAP
15	295447.80	8677203.98	DTAK INC CAP

PI STA = 46+39.08
N = 295341.93
E = 8677958.32
I = 11°45'00"R

PI STA = 92+58.38
N = 295340.70
E = 8677958.23
I = 11°40'10"R

CIRCULAR	SPIRALS	CIRCULAR	SPIRALS
Da = 03°00'00"	Is = 04°30'00"	I = 01°15'28"	Is = 05°12'21"
Dc = 03°00'01"	L = 500.00	Da = 02°11'31"	L = 475.00
T = 45.84	X = 299.81	T = 28.69	X = 474.61
R = 1909.86	Y = 7.85	L = 2613.92	Y = 14.38
L = 91.87	P = 1.98	R = 57.38	P = 3.60
C = 91.66	K = 149.97	C = 57.38	K = 237.43
E = 0.55	LT = 200.06	E = 0.16	LT = 316.80
M = 0.55	ST = 100.06	M = 0.16	ST = 158.48
			T = 504.92



CONTROL COORDINATE TABLE

Pt. No.	Northing	Easting	Description
16	295226.78	8678195.64	DTAK INC CAP
17	294777.36	8679613.37	DTAK INC CAP
201	295047.30	8680465.97	BRASS CAPPED MONUMENT
249	294769.27	8679500.86	DDOT #9

PI STA = 62+28.87
N = 294765.16
E = 8679441.84
I = 28°58'42"L

PI STA = 108+55.56
N = 294765.16
E = 8679450.85
I = 28°58'29"L

CIRCULAR	SPIRALS	CIRCULAR	SPIRALS
Da = 05°59'15"	Is = 11°58'30"	I = 02°57'10"	Is = 13°00'37"
Dc = 05°59'23"	L = 400.00	Da = 05°28'41"	L = 475.00
T = 42.99	X = 396.26	T = 28.96	X = 472.58
R = 956.92	Y = 27.78	R = 1045.91	Y = 35.82
L = 85.92	P = 8.99	L = 53.90	P = 8.97
C = 85.90	K = 199.71	C = 53.90	K = 237.09
E = 0.97	LT = 287.28	E = 0.35	LT = 317.53
M = 0.96	ST = 133.89	M = 0.35	ST = 159.12
	T = 449.84		T = 509.85

