

CERTIFIED RECORD OF LAND CORNER MONUMENTATION

W.50-20.50

History of original corner establishment:

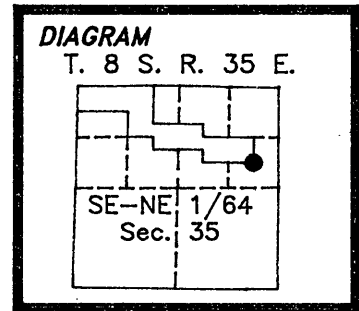
1983, Gary L. Langlitz, Registered Land Surveyor 1099, set a 2 1/2" X 30" galvanized iron pipe, with brass cap, 27" in ground with raised mound of stone (Grant Co. Map of Survey No. 828),

from which:

A Lodgepole Pine 7" dia. bears N 78° W, 59.3 ft. marked SE-NE 1/64 S35 BT.

A Lodgepole Pine 5" dia. bears S 28° W, 51.7 ft. marked SENE 1/64 S35 BT.

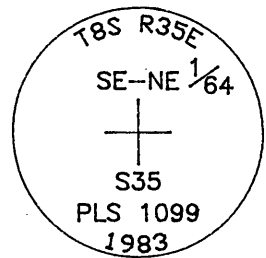
Found unrecorded Pin (Grant Co. Map of Survey No. 924)
3.5 ft. East
1.4 ft. South



Description of corner evidence found:

Found a 2 1/2" iron pipe, with a 2 1/2" brass cap, projecting 4" out of the ground, marked as shown, from which:

- 10" Lodgepole Pine, S 20 1/2° W, 51.7 feet, with scribing visible on almost completely healed double blaze and 1 1/4" brass washer stamped "LS 1099" nailed to the lower blaze.
- 12" Lodgepole Pine, N 80 3/4° W, 59.3 feet, with scribing visible on partially healed double blaze and 1 1/4" brass washer stamped "LS 1099" nailed to the lower blaze.
- 5/8" rebar projecting 10" out of the ground, S 72°39' E, 3.90 feet.



Description of monument and accessories I established to perpetuate the original location of this corner:

None

Magnetic Declination 19° East
WORK PERFORMED BY: David A. Schlaich (RLS 2308)
WITNESSED BY: Ray Parrish
DATE: October 28, 1999

REGISTERED
PROFESSIONAL
LAND SURVEYOR

David A. Schlaich

OREGON
JULY 16, 1987
DAVID A. SCHLAICH
2308

RENEWAL DATE: 06/30/2000

Office of Surveyor County of Grant
State of Oregon, I hereby certify that the within instrument was filed in this office
for record on the 9 day of Feb, 2000
Robert D. Baggett by David A. Schlaich
(COUNTY OFFICIAL) (DEPUTY)

Form R6-7100-57 (9/71)

SEE MAP OF SURVEY NO. 1543

W.50-20.50